

REXSW071-23

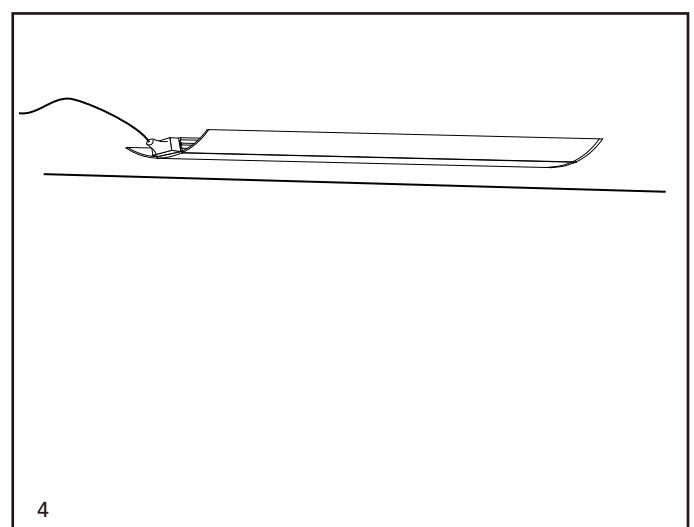
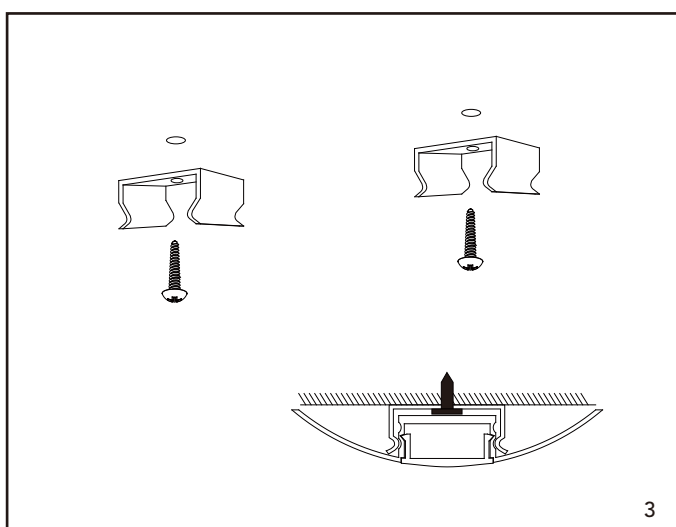
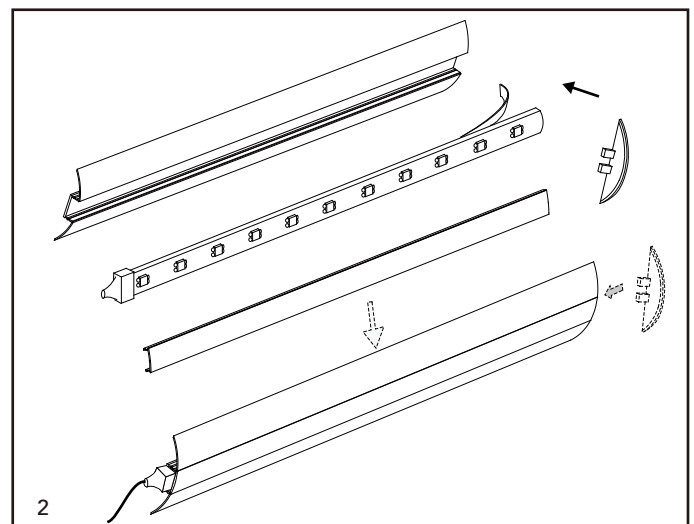
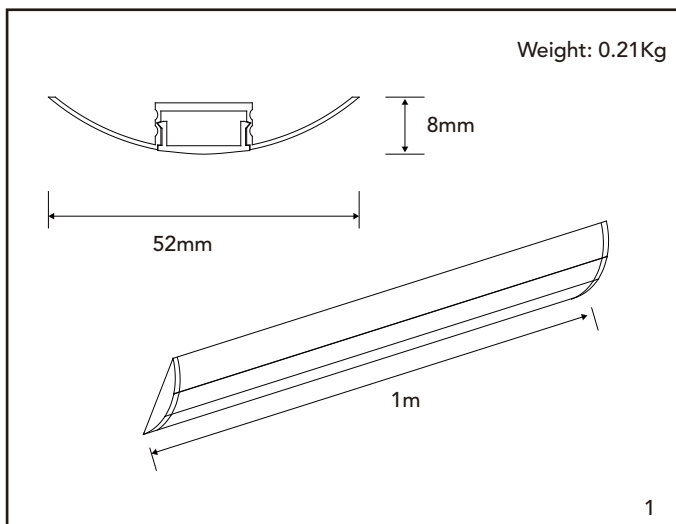
WALK OVER ALUMINIUM EXTRUSION, 1M

PLEASE READ INSTRUCTION BEFORE COMMENCING INSTALLATION AND RETAIN FOR FUTURE REFERENCES.
! Electrical products can cause death or injury, or damage to property. If in any doubt about the installation or use of this product, consult a competent electrician

Note:

Product technical information and specification may change over time without prior notification
For the latest technical information please visit our web site www.ledgrouprobust.com.au

1. Ensure mains supply is switched off before commencing work
2. Choose desired location to mount the extrusion, ensure that the cables are long enough to reach the start of the strip
3. Remove diffuser. Place LED strip inside aluminium channel and remove self-adhesive film, press the strip into the channel, ensure it is secure. Attach diffuser and end cap, ensure they are correctly attached
4. Mark appropriate fixing points for the brackets on the surface, ensure that the hole does not impinge on joists, pipe work, cables or other building services
5. Attach the brackets to the surface using screws provided
6. Attach the unit to the brackets



The Installation must be carried out by an electrician